

# Linear Actuators

# Linear Actuators

Options:  
• Feedback

Applications:  
• Fitness Equipment  
• Adjustable Work Stations  
• Adjustable TV Stands  
• Adjustable Beds

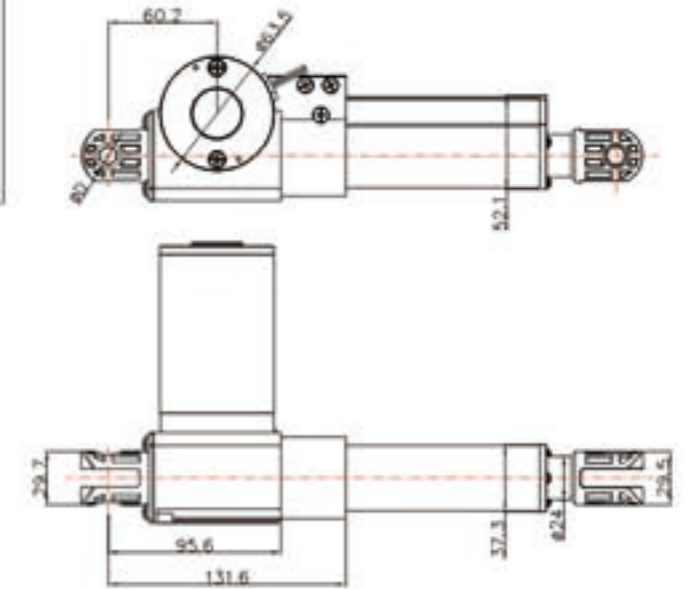
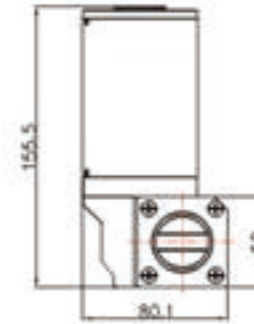
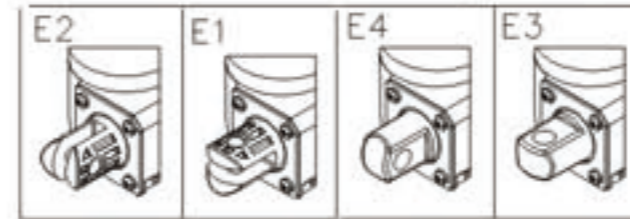
| Model: JM 20                            |  |
|---|--|
| Input Voltage                           | 6 to 180 DC                              |
| Load Capacity Thrust                    | 880 Pounds (3900 Newton's)               |
| Travel Speed Inch per second/mm per sec | 0.11 to 0.437 Inch per sec (2.8 to 11mm) |
| Operating Temperature                   | 7 to 60 °C                               |
| Duty Cycle                              | 1 Minute On 6 Minutes Off                |
| Thermal Protector Rating                | Optional                                 |
| Stroke                                  | Customer Defines                         |
| Feedback, Potentiometer, Optical        | Optional, Internal mounting              |



- Features:
- Permanent Magnet High Torque Motor
  - Over sized brushes for added life
  - Class 2G acme shaft
  - Precision Deep Groove Thrust Bearing
  - Internal limit switches
  - Adjustable internal cam
  - Dust cover
  - Rugged construction
  - Quiet drive PMDC motor

This mid-size linear actuator can handle thrust loads up to 900 pounds. It is perfect for an application that requires strong thrust loads with low db sound levels. It is currently used on Fitness equipment, Office equipment, Adjustable work stations, Electric adjustable beds, Flat screen TV stands, Electric stand-up recliners.

Optional Trunnion configuration :



Model Jm20 Total Ratio(Gear Ratio/Screw Leads) Reference

|             |                                  |            |
|-------------|----------------------------------|------------|
| Input Motor | Gear Ratio                       | 39:1       |
|             | Thread Type(threads per inch)    | 6          |
| 30mm        | Full load Speed in-min(mm-min)   | 10(25.4)   |
|             | Full load thrust pounds(Newtons) | 900(4000)  |
|             | Starting thrust pounds(Newtons)  | 1300(5780) |

JM20 - XX - XXX - XX - XX - X.X

| Model | Volts | Stroke | Sensor         | Trunnion | Hole dia   |
|-------|-------|--------|----------------|----------|------------|
|       | 12    | 50 to  | LS-Limit       | W1       | 9.6mm 3/8" |
|       | 24    | 300 mm | Switch         | W2       | 10mm       |
|       | 90    |        | 1K-Pot         | W3       |            |
|       |       |        | 10K-Pot        | W4       |            |
|       |       |        | LP-Pot & Limit |          |            |